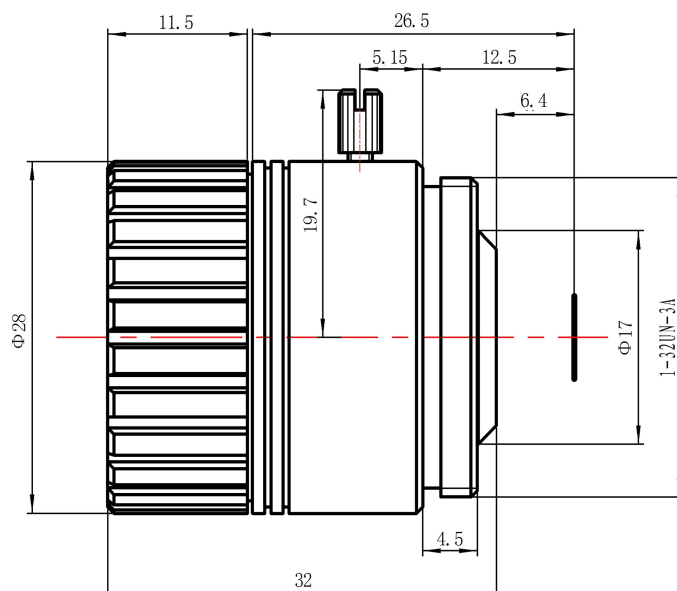


镜头参数 (Parameter of Lens)

| | | | | | |
|------------------------------|-------------------------------|-------------|--------|-------|------|
| 型号 (Model) : | CS-6IR (3MP) -CL | | | | |
| | 分辨率 (Resolution) | 3 Megapixel | | | |
| | 像面尺寸 (Image format) | 1/2.5" | | | |
| | 焦距 (Focal length) | 6mm | | | |
| | 通光孔径 (Aperture) | F2.4 | | | |
| | 接口 (Mount) | CS | | | |
| | 视场角 (Field Angle) D×H×V(°) | 1/2.5" | 1/3 | 1/4 | |
| | | D | 73 | 60 | 49 |
| | | H | 58.4 | 48 | 39.2 |
| | V | 43.8 | 36 | 29.4 | |
| | 畸变 (Optical Distortion) | 15.10% | 12.30% | 8.30% | |
| | 最近物距 (M. O. D.) | 0.3m | | | |
| | 外形尺寸 (Dimension) | Φ28×32mm | | | |
| | 重量 (Weight) | 40±2g | | | |
| | 法兰后焦距 (Flange BFL) | 12.5mm | | | |
| | 光学后焦距 (BFL) | 7.5mm | | | |
| 机械后焦距 (MBF) | 6.4mm | | | | |
| 日夜共焦 (IR Correction) | Yes | | | | |
| 操作方法 (Operation) | 光圈 (Iris) | 固定光圈 (FIX) | | | |
| | 聚焦 (Focus) | / | | | |
| | 变焦 (Zoom) | / | | | |
| 工作温度 (Operating temperature) | -20℃~+60℃ | | | | |

尺寸 (Size)



| | | | |
|----------------------------|-----------|------------|-------------|
| 尺寸公差 Size tolerance (mm) : | 0-10±0.05 | 10-30±0.10 | 30-120±0.20 |
| 角度公差 Angle tolerance | ±2° | | |